
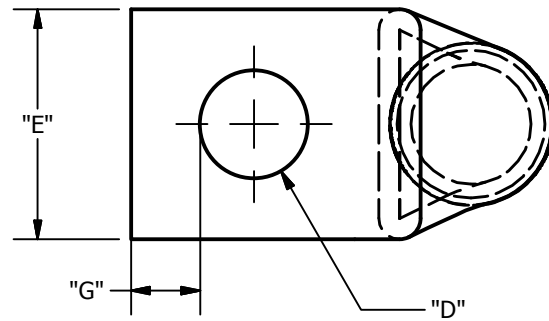
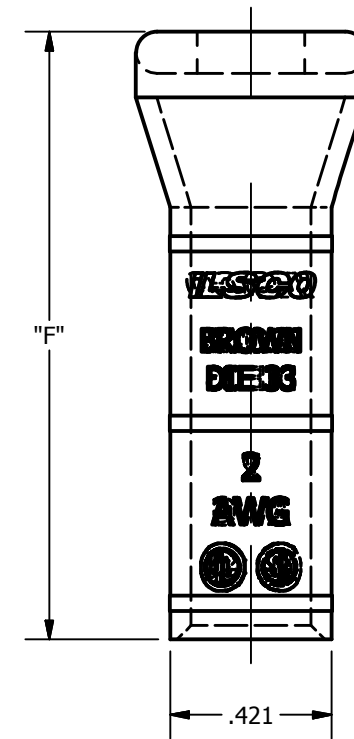
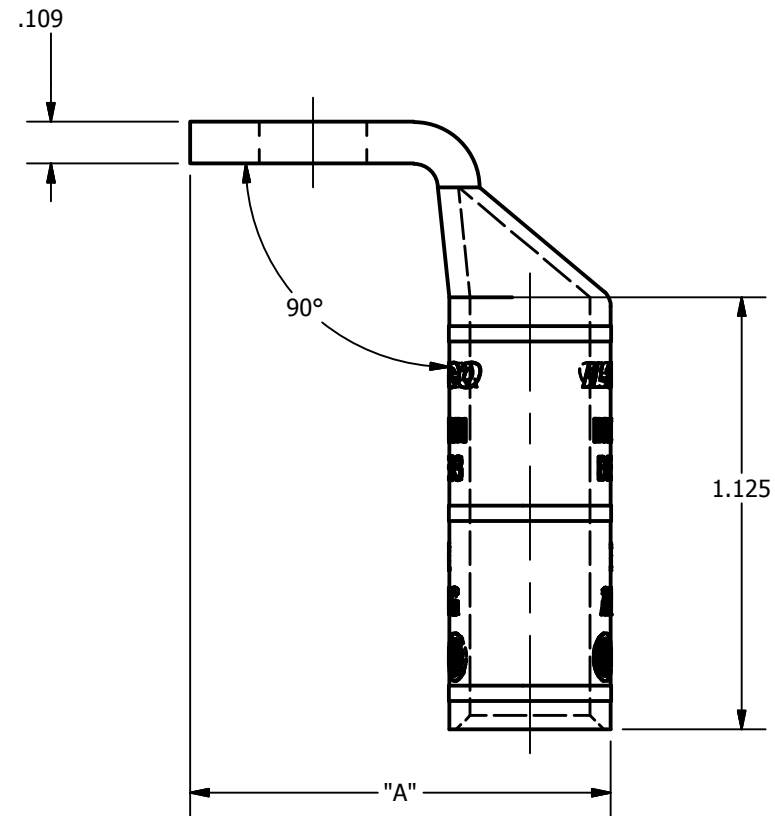


SCREW: NONE	MATERIAL: COPPER	REV: I	 800-776-9775 www.ilSCO.com
CAT. NO.: SEE CHART	PLATING: EL-TIN	DRAWN BY:DW SCALE: 2:1	
INFORMATION SHEET:FORM 157	MARKING: SEE CHART	DATE:6/3/2008 SIZE: B	
			DWG NO: Y0503-S-9
			SHEET: 1 OF 1



DETAIL C
INK MARK TOP & BOTTOM



CATALOG NUMBER	"A"	"D"	"E"	"F"	"G"	TANG MARKING
CLNB-2-10-9	1.106	0.219	0.599	1.622	0.148	ILSCO, C-2-10-9, 2 AWG, DIE 33, UL, CSA
CLNB-2-14-9	1.224	0.281	0.599	1.620	0.180	ILSCO, CLNB-2-14-9, 2 AWG, DIE 33, UL, CSA
CLNB-2-12-9	1.794	0.562	0.750	1.620	0.265	ILSCO, CLNB-2-12-9, 2 AWG, DIE 33, UL, CSA
CLNB-2-38-9	1.419	0.406	0.599	1.620	0.211	ILSCO, CLNB-2-38-9, 2 AWG, DIE 33, UL, CSA
CLNB-2-516-9	1.419	0.343	0.599	1.620	0.180	ILSCO, CLNB-2-516-9, 2 AWG, DIE 33, UL, CSA